

PRODUCT DATASHEET

TRACK SP D75 25 W 3000 K 90RA NFL GY

TRACKLIGHT SPOT D75 25W | 3-phase tracklight spot with integrated control gear, low wattage



GERMAN
DESIGN
AWARD
NOMINEE
2019



Areas of application

- Direct replacement for luminaires using HID lamps
- Accent lighting
- Fashion shops, accessories shops
- Retail
- Hotels, restaurants, shops

Product benefits

- Included 3-phase adapter compatible with common tracks (GLOBAL, EUTRAC, POWERGEAR, STAFF, NORLUX, NUCO, NORDIC)
- Deep reflector and black antiglare ring for minimized glare (UGR < 16)
- Reflector easily replaceable thanks to bayonet catch and rubber suction pad
- No distraction of attention from the illuminated objects thanks to reduced design
- Low flicker light thanks to special electronic control gear
- 5 years guarantee

Product features

- Compact tracklight spot with integrated control gear
- Rotation angle: 350°, tilt angle: 90°
- Luminaire efficacy: up to 80 lm/W
- Available with color temperature 3000 K or 4000 K



- Very good color rendering index R_a : > 90
- Color rendering index R_a9 : > 50
- Initial color consistency: ≤ 3 SDCM
- Equipped with reflectors with 24° beam angle
- Follows the unified LEDVANCE design language (SCALE design)
- Robust die-cast aluminum housing
- Available in matt white (like RAL9016), matt black (like RAL9004) and concrete grey (like RAL7042)



TECHNICAL DATA

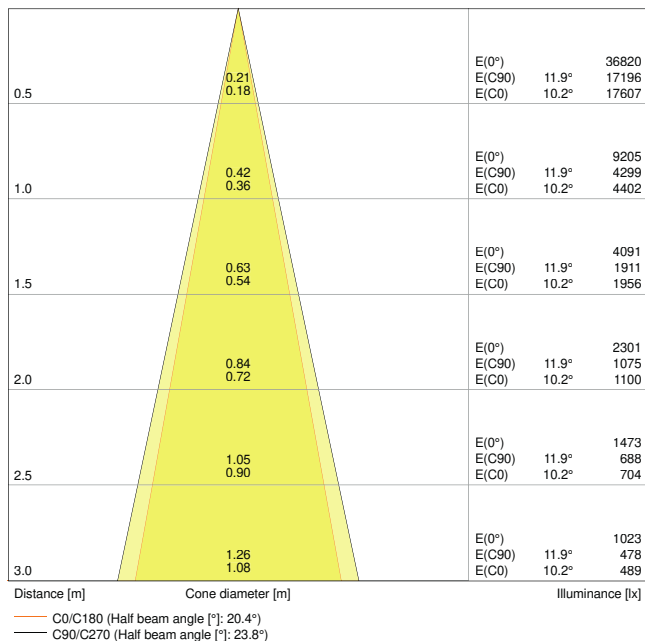
Electrical data

| | |
|--|-----------------------|
| Nominal wattage | 25.00 W |
| Nominal voltage | 220...240 V |
| Mains frequency | 50...60 Hz |
| Nominal current | 110 mA |
| Inrush current | 23 A |
| Inrush current time T_{h50} | < 3.4 μ s |
| Max. no. of lum. on circuit break. B16 A | 30 |
| Max. no. of lum. on circuit break. C10 A | 24 |
| Max. no. of lum. on circuit break. C16 A | 38 |
| Power factor λ | ≥ 0.90 |
| Total harmonic distortion | < 15 % |
| Protection class | I |
| Operating mode | Integrated LED driver |

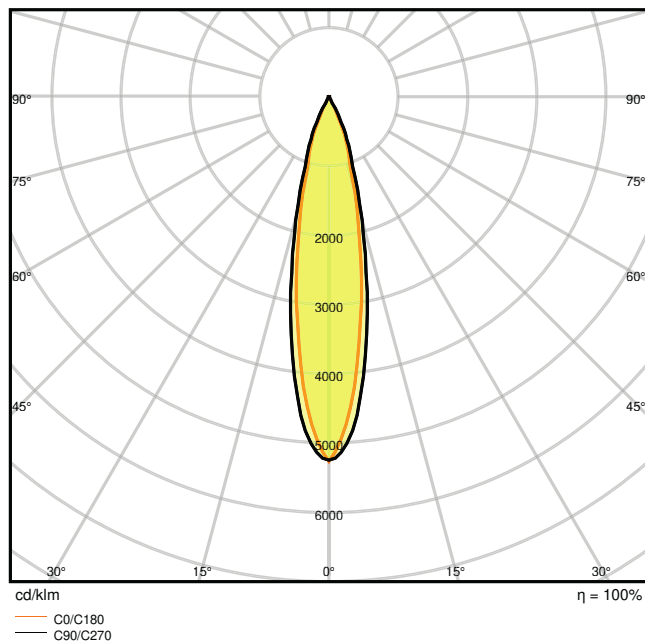
Photometrical data

| | |
|--|---------------------------|
| Luminous flux | 1750 lm |
| Luminous efficacy | 75 lm/W |
| Color temperature | 3000 K |
| Light color (designation) | Warm White |
| Color rendering index Ra | 90 |
| Standard deviation of color matching | ≤ 3 sdc _m |
| Low flicker | Yes |
| Flickering metric (Pst LM) | - |
| Stroboscope effect metric (SVM) | - |
| Photobiological safety group acc. to EN62778 | RG1 |
| Beam angle | 24 ° |





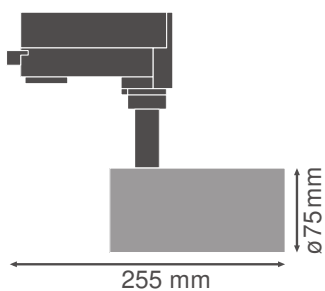
LDC typ cone



LDC typ polar

Dimensions & Weight

| | |
|----------------|-----------|
| Diameter | 75.00 mm |
| Height | 255.00 mm |
| Product weight | 770.00 g |



Materials & Colors

| | |
|---------------|------|
| Product color | Gray |
|---------------|------|



| | |
|--|-------------------------------|
| Housing color | Gray |
| Body material | Aluminum |
| Cover material | Polymethylmethacrylate (PMMA) |
| Light emitting surface material | Polycarbonate (PC) |
| Glow Wire Test according to IEC 60695-2-12 | 650 °C |
| Mercury content | 0.0 mg |

Application & Mounting

| | |
|--|-------------------|
| Ambient temperature range | -10...+40 °C |
| Type of connection | Adapter, 3-phasig |
| Type of protection | IP20 |
| Protection class IK (shock resistance) | IK03 |
| Dimmable | No |
| Mounting type | Surface |
| Mounting location | Mounting track |
| Application environment | Indoor |
| Adjustable | Yes |
| LED module replaceable | Not replaceable |

Lifespan

| | |
|----------------------------|---------|
| Lifespan L70/B50 at 25 °C | 50000 h |
| Lifespan L80/B10 at 25 °C | 45000 h |
| Lifespan L90/B10 at 25 °C | 30000 h |
| Number of switching cycles | 50000 |

Control gear

| | |
|-----------------------------|--------|
| Output current | 600 mA |
| ECG - Output ripple current | < 10 % |

Certificates & Standards










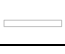


| | |
|--|---------------------------------------|
| Standards | CE / CB / ENEC / TÜV SÜD / EAC / RoHS |
| Luminaire with limited surface temperature, "D sign" | No |
| Ball shot safe | No |

EQUIPMENT / ACCESSORIES

- Accessory reflectors with 15° or 38° beam angle available



DOWNLOAD DATA

| DOWNLOAD DATA | |
|---|--|
|  | User instruction |
|  | Addon Technical Information |
|  | Tender documents |
|  | Declarations of conformity |
|  | Declarations of conformity |
|  | On-Pack-Info |
|  | IES file (IES) |
|  | LDT file (Eulumdat) |
|  | R3D file (Relux 3D Model) |
|  | M4D file (3D Model with rotation axis) |
|  | ULD file (DIALux) |
|  | UGR file (UGR table) |

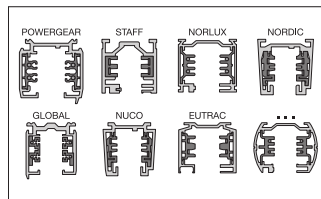
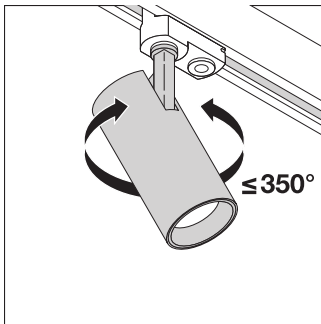
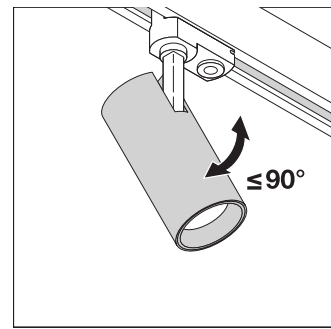
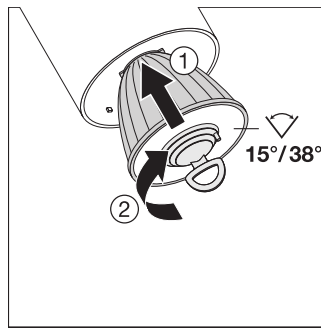
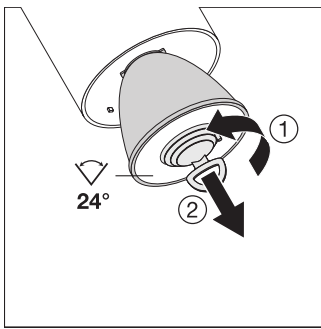
LOGISTICAL DATA

| Product code | Packaging unit (Pieces/Unit) | Dimensions (length x width x height) | Gross weight | Volume |
|---------------|------------------------------|--------------------------------------|--------------|-----------------------|
| 4058075113695 | Shipping box 4 | 375 mm x 110 mm x 295 mm | 3557.00 g | 12.17 dm ³ |

The mentioned product code describes the smallest quantity unit which can be ordered. One shipping unit can contain one or more single products. When placing an order, for the quantity please enter single or multiples of a shipping unit.

ADDITIONAL CATALOG INFORMATION





References / Links

- For Guarantee see www.ledvance.com/guarantee

DISCLAIMER

Subject to change without notice. Errors and omission excepted. Always make sure to use the most recent release.

