

## DALI Expander 3

### Datasheet

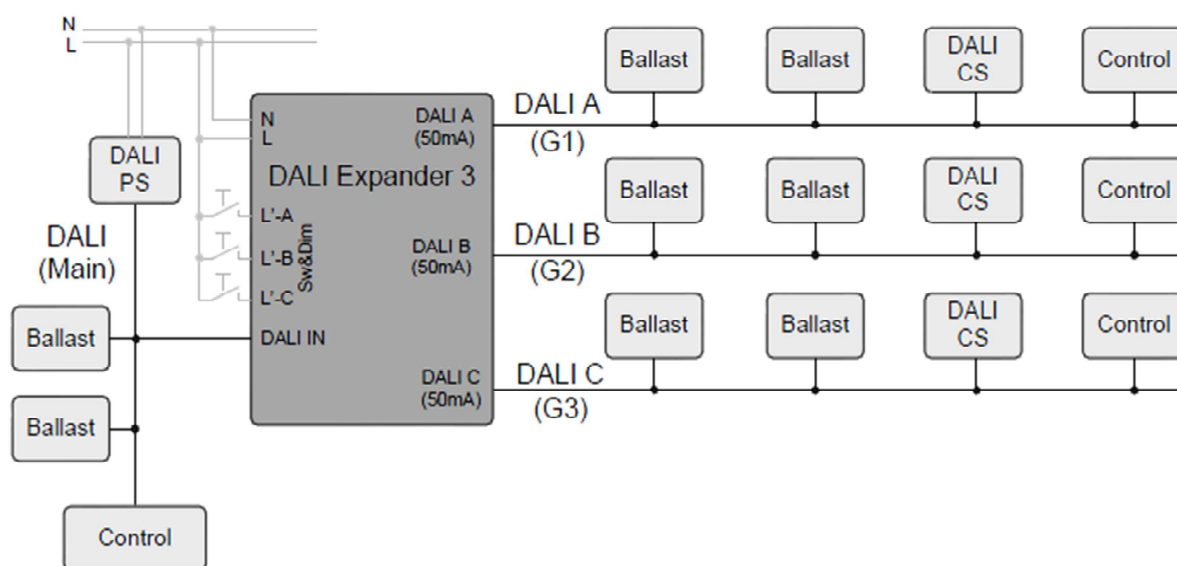
Expander for 3 DALI-Lines and  
integrated 3x50mA power supply

Device for DALI-line expansion with  
integrated bus power supply for 3  
DALI sub-circuits



Art. Nr. 89453847-3





Expansion of a DALI-circuit (Main) with up to three DALI-sub-circuits

## Function

The DALI-Expander 3 can be used for DALI-line expansion. For each of the three DALI-outputs the device provides an integrated DALI power supply (50mA).

Each of the 3 DALI subnets is represented by a DALI short address at the input and commands sent to these addresses are forwarded to the corresponding output broadcast. Hence all connected ballasts on an output-circuit can be controlled simultaneously via a single short address.

An alternative for control of the output circuits are the Switch&Dim inputs (short press: On/Off, long press: Dim), as a result the device can be used as stand-alone solution without DALI-circuit on the input.

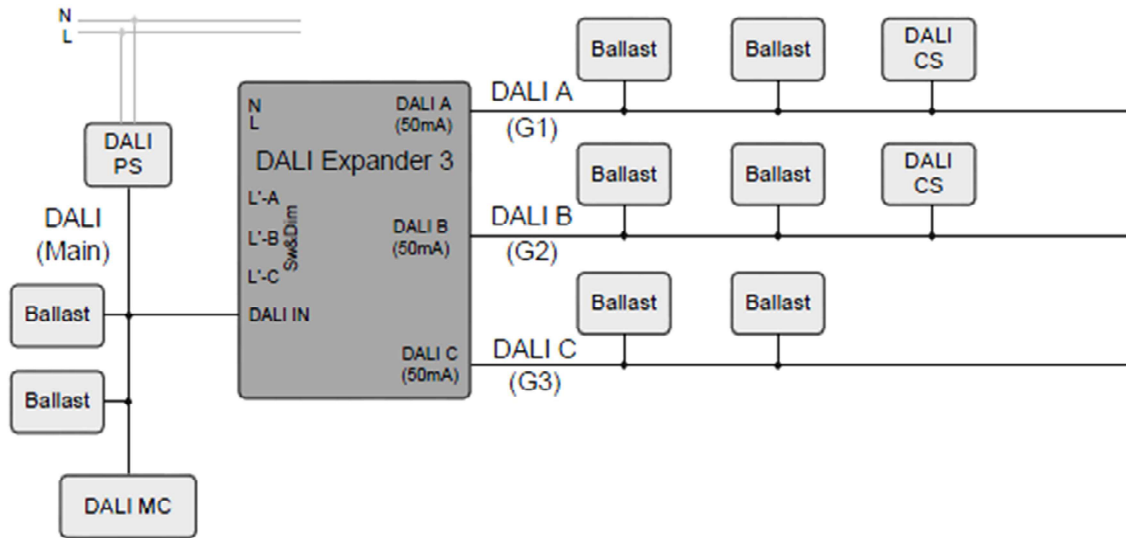
For the transmission of DALI commands between the output lines (e.g. for controlling 2 of the output lines with one DALI CS sensor only), group commands can be used.

By factory default a group command is forwarded broadcast as listed below:

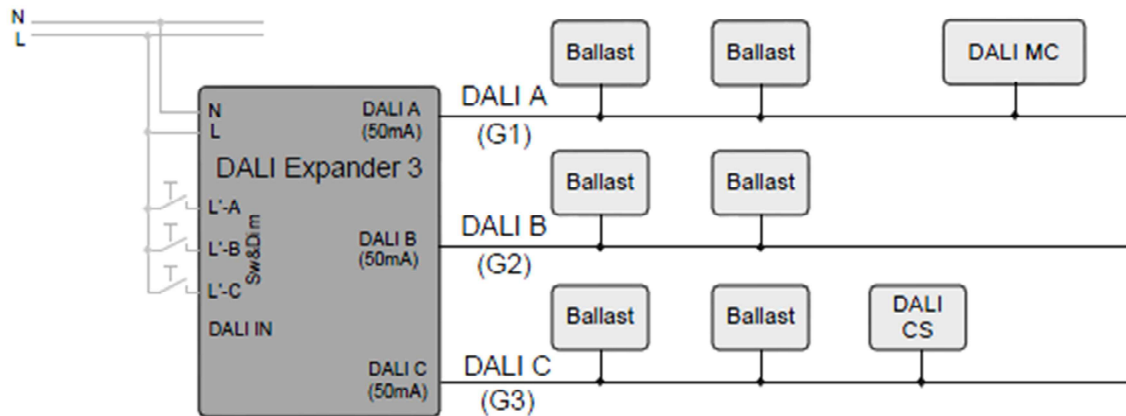
- G1 -> DALI A
- G2 -> DALI B
- G3 -> DALI C
- G4 -> DALI A + DALI B
- G5 -> DALI A + DALI C
- G6 -> DALI B + DALI C
- G7 -> DALI A + DALI B + DALI C

With the help of the test button a test sequence for testing the sub circuits can be started and stopped.

Typical Application



DALI input circuit available (separate DALI PS required). Control of DALI-sublines via short addresses from the DALI-Main-circuit or with the help of controls (e.g. DALI CS) in the output circuits



Stand Alone solution without DALI-circuit at the input. Control of the DALI output lines with Switch&Dim inputs or with controls in the output circuits (e.g. DALI MC or DALI CS) – if the DALI CS sends control commands to Group 5, per factory default line A and line C will receive this command broadcast

## Purchase Order Information

ArtNr. 89453847-3: DALI Expander 3, device for DALI-line expansions with 3 subnets and integrated 50mA bus power supply for each line

## Additional Information and Equipment

DALI-Cockpit – free configuration tool from Lunatone for DALI systems

<http://lunatone.at/en/downloads/Lunatone-DALI-Cockpit.zip>

Lunatone DALI products

<http://www.lunatone.at/en/>

Lunatone datasheets and manuals

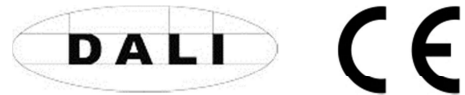
<http://lunatone.at/en/downloads/>

## Contact

Technical Support: [support@lunatone.com](mailto:support@lunatone.com)

Requests: [sales@lunatone.com](mailto:sales@lunatone.com)

[www.lunatone.com](http://www.lunatone.com)



## Disclaimer

Subject to change. Information provided without guarantee.  
The datasheet refers to the current delivery.

The compatibility with other devices must be tested in advance to the installation.