

## Direct current electronic drivers with DIP-SWITCH Alimentatori elettronici in corrente continua con DIP-SWITCH

Made in Italy

constant  
**CURRENT**

IS 15885  
(Part 2 / Sec 13)  
R - 41049751

**DAMP LOCATION**

UL-CLASS2  
CSA-LVLE

**EMC 05**

**KEMA EUR**

SAA-142180-EA

CCC

110

M M

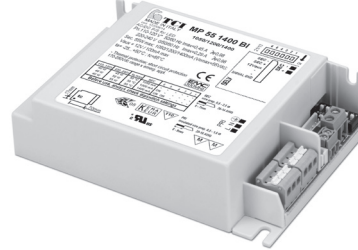
EL

**SELV 60V**

**RIPPLE FREE**



MP 55 HC/2 - MP 55 1400/2



MP 55 HC BI - MP 55 1400 BI

3.5kV DIFF. 4kV COMM. **ACTIVE PFC** **DIP-SWITCH** 12V AUX. 100 mA **SAFETY PROTECTIONS**

### Rated Voltage Tensione Nominale

110 ÷ 120 V <sup>(2)(3)</sup>  
220 ÷ 240 V

### Frequency Frequenza

50/60 Hz

### AC Operation range Tensione di utilizzo AC

99 ÷ 264 V

### DC Operation range Tensione di utilizzo DC

(see page info15)  
170 ÷ 280 V

### Power Potenza

1 ÷ 55 W

### Output current ripple ≤ 3% <sup>(1)</sup>

### Standards compliance

CSA-C22.2 n° 223 <sup>(2)(3)</sup>  
CSA-C22.2 n° 250.13 -14 <sup>(2)(3)</sup>  
EN 50172 (VDE 0108)  
EN 55015  
EN 60598-2-22  
EN 61000-3-2  
EN 61347-1  
EN 61347-2-13  
EN 61547  
EN 62384  
UL 1310 <sup>(2)(3)</sup>  
UL 8750 <sup>(2)(3)</sup>  
VDE 0710-T14

### Max. pcs for CB B16A

(see page info17)  
30 pcs

### In rush current

10A 200μsec

Article Articolo	Code Codice	P out W	V out DC <sup>(1)</sup>	I out DC	U out V	ta °C	tc °C	λ max. Power Factor	η max. Efficiency <sup>(1)</sup>
<b>MP 55 HC/2</b> <b>MP 55 HC BI</b> <sup>(3)</sup>	127310 122208	<b>Constant current output - Uscita in corrente costante</b>					85	0,98	90
		45 (40 <sup>(2)</sup> )	2...44	1,05 A cost.	55	-25...+50			
		52 (40 <sup>(2)</sup> )	2...44	1,2 A cost.					
		55 (40 <sup>(2)</sup> )	2...39	1,4 A cost.					
		55 (40 <sup>(2)</sup> )	2...35	1,6 A cost.					
		55 (40 <sup>(2)</sup> )	2...30	1,75 A cost.					
		55 (40 <sup>(2)</sup> )	2...26	2,1 A cost.		-25...+45			
48Vout voltage limit settable with Dip-Switch - Poutmax=55W									
<b>MP 55 1400/2</b> <b>MP 55 1400 BI</b> <sup>(3)</sup>	127310/14 122208/14	45 (40 <sup>(2)</sup> ) 52 (40 <sup>(2)</sup> ) 55 (40 <sup>(2)</sup> )	2...44 2...44 2...39	1,05 A cost. 1,2 A cost. 1,4 A cost.	55	-25...+50	85	0,98	90

<sup>(1)</sup> Referred to  $V_m = 230 V$ , 100% load - Riferito a  $V_m = 230 V$ , carico 100%

<sup>(4)</sup> Only for **MP 55 HC/2**

<sup>(5)</sup> Only for **MP 55 HC BI**

<sup>(6)</sup> **122208BIS - 122208/14BIS:**  
order codes for BIS marked products  
codici di ordine per i prodotti marchiati BIS

### Accessories not supplied - Accessori non a corredo

Article - Articolo	L (length)	Code - Codice
6-pin cable for LED and AUX Cavo 6 poli per LED e AUX	50 cm / 19,68"	425720017

### Features

- Multipower driver supplied with dip-switch for the selection of the output current.
- IP20 independent driver, for indoor use (MP 55 /2).
- Class I protection against electric shock for direct or indirect contact (MP 55 /2).
- Driver for built-in use (MP 55 BI).
- It can be used for lighting equipment in protection class I (MP 55 BI).
- Active Power Factor Corrector.
- Auxiliary output 12 V max. 100 mA.
- Current regulation ± 5 % including temperature variations.
- Input and output terminal blocks on the same side (wire cross-section up to 1,5 - 2,5 mm<sup>2</sup> / AWG15 - AWG13).
- Clamping screws on primary and secondary circuits for cables with diameter: min. 3 mm - max. 8 mm (MP 55 /2).
- Driver can be secured with slot for screws.
- Protections:
  - against overheating and short circuits;
  - against mains voltage spikes;
  - against overloads.
- Thermal protection = C.5.a.

### Caratteristiche

- Alimentatore multipotenza fornito di dip-switch per la selezione della corrente in uscita.
- Alimentatore indipendente IP20, per uso interno (MP 55 /2).
- Protetto in classe I contro le scosse elettriche per contatti diretti e indiretti (MP 55 /2).
- Alimentatore da incorporare (MP 55 BI).
- Utilizzabile per apparecchi di illuminazione in classe di protezione I (MP 55 BI).
- PFC attivo.
- Uscita ausiliare 12 V max. 100 mA.
- Corrente regolata ± 5 % incluse variazioni di temperatura.
- Morsetti di entrata e uscita sullo stesso lato (sezione cavo fino a 1,5 - 2,5 mm<sup>2</sup> / AWG15 - AWG13).
- Serracavo su primario e secondario per cavi di diametro: min. 3 mm - max. 8 mm (MP 55 /2).
- Fissaggio dell'alimentatore tramite asole per viti.
- Protezioni:
  - termica e cortocircuito;
  - contro le extra-tensioni di rete;
  - contro i sovraccarichi.
- Protezione termica = C.5.a.

**7 YEARS WARRANTY**  
3% FAILURE RATE

**10 YEARS WARRANTY**  
5% FAILURE RATE

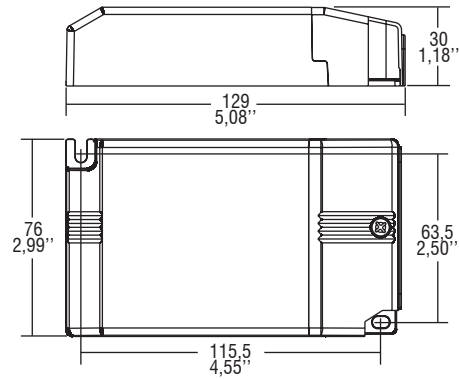
PRODUCER'S LIABILITY  
**TCI**

WARRANTY 10 YEARS  
ACCORDING TO THE EUROPEAN CONDITIONS  
2014

**Direct current electronic drivers with DIP-SWITCH**  
**Alimentatori elettronici in corrente continua con DIP-SWITCH**

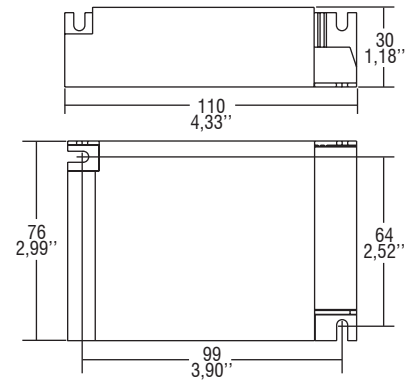
Made in Italy

**IP 20** **SCREW FIXING**  $\varnothing 90$  3.54" Weight - Peso gr. 236 / 8,3 oz.  
 Pcs - Pezzi 35

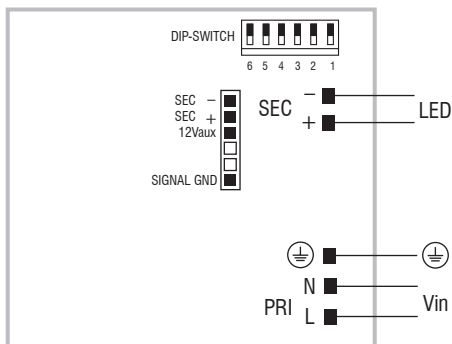


**BUILT-IN** **SCREW FIXING** Weight - Peso gr. 224 / 7,9 oz.  
 Pcs - Pezzi 40

Compatible with ZHAGA (AM2)



**Wiring diagram - Schema di collegamento** (Max. LED distance on page info8 - Massima distanza LED a pagina info8)



**2.1**

Multipower DIP-SWITCH drivers - Compact case  
 Alimentatori multipotenza con DIP-SWITCH - Formato compatto