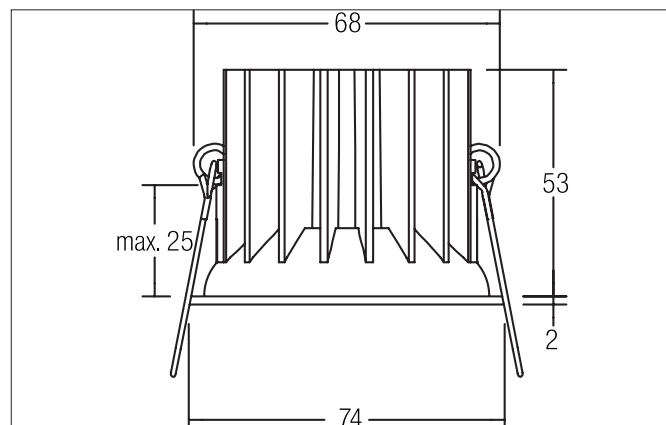


CIRCLE LED recessed downlight CIRCLE, with all-round light gap

Artikel-Nr. 12415173

Licht.
Für Generationen.**Tender**

LED recessed downlight CIRCLE, with all-round light gap, white, round. In a compact design, for installation in tool-less rapid assembly systems Lamp holder: Plug&Play, Mounting method: Recessed mounting, Place of installation: Ceiling-mounted, Material: Aluminium / Plastic, Degree of protection: according to DIN EN 60529 IP20, Protection class: (EN 61140) III, Current: 350 mA, Power: 6.1W, Amount of light sources / fittings: 1.0 Qty, Luminous flux: 680lm, Colour temperature: 3.000 K, Light colour : White, Beam angle: 50°, Adjustability: Not adjustable, With control gear: No, Control: Dimming depending on driver.

| Article data | |
|--------------------|---|
| Artikel-Nr. | 12415173 |
| GTIN | 4251433915843 |
| Series name | CIRCLE |
| Kurzbeschreibung | LED recessed downlight CIRCLE, with all-round light gap |
| Material | Aluminium / Plastic |
| Colour | White |
| Type of surface | Structure |
| Shape | round |
| Outer diameter | 74 mm |
| Built-in diameter | 68 mm |
| Installation depth | 53 mm |
| weight | 0.153 kg |

CIRCLE LED recessed downlight CIRCLE, with all-round light gap

Artikel-Nr. 12415173

Licht.
Für Generationen.

| Lighting technology | |
|---------------------|------------|
| Colour temperature | 3000 K |
| Light colour | White |
| Light output | Direct |
| Luminous flux | 680 lm |
| System efficiency | 111 lm/W |
| Colour rendering | CRI > 90 |
| Reflector | High-gloss |
| Beam angle | 50 ° |
| Light sharing | Symmetric |

| Operating technology of the luminaires | |
|--|---|
| System output | 6.1 W |
| Voltage type | DC |
| Current | 350 mA |
| Lamp | LED |
| Lamp holder | Plug&Play |
| Protection class | III |
| Degree of protection | IP20 |
| Converter - possible luminaire 1 pc. | 17662 17613 17621 17663 17652 17640 17657 17683 17648 17671 17672 |
| Control | Dimming depending on driver |
| Leuchtmittelwechsel möglich | ja |
| Rated life time L70/B50 at 25 °C | 50000 h |

| Mounting technology | |
|-----------------------|---|
| Mounting method | Recessed mounting |
| Place of installation | Ceiling-mounted |
| Adjustability | Not adjustable |
| Further references | No cover with thermal insulation material |
| Material cover | Plastic, transparent |

| Packing data | |
|---------------------|----------|
| Gross weight | 0.232 kg |
| Length of packaging | 100 mm |
| Packaging width | 100 mm |
| Packaging height | 80 mm |

CIRCLE LED recessed downlight CIRCLE, with all-round light gap

Artikel-Nr. 12415173

Licht.
Für Generationen.

| Accessories | |
|---|--|
|  | Artikel-Nr.: 17662020 Kurzbeschreibung: LED converter 350 mA, on/off Leistung: 1 - 7,2 W Abmessung: 68 mm x 35 mm x 21 mm |
|  | Artikel-Nr.: 17613000 Kurzbeschreibung: LED converter 350 mA, on/off Leistung: 1 - 15 W Abmessung: 115 mm x 34 mm x 19 mm |
|  | Artikel-Nr.: 17621020 Kurzbeschreibung: LED converter 350 mA, on/off Leistung: 1 - 21 W Abmessung: 128 mm x 50 mm x 13 mm |
|  | Artikel-Nr.: 17663020 Kurzbeschreibung: LED converter 350 mA, trailing-edge phase dimmable Leistung: 2,8 - 7 W Abmessung: 110 mm x 50 mm x 19 mm |
|  | Artikel-Nr.: 17652020 Kurzbeschreibung: LED-round converter 350 mA, phase dimmable Leistung: 4,9 - 7 W Abmessung: 24 mm |
|  | Artikel-Nr.: 17640020 Kurzbeschreibung: LED converter 350 mA, trailing-edge phase dimmable Leistung: 4,2 - 10 W Abmessung: 102 mm x 38 mm x 21 mm |
|  | Artikel-Nr.: 17657000 Kurzbeschreibung: LED converter 350 mA, 1-10 V dimmable (analog) Leistung: 5,2 - 18 W Abmessung: 110.5 mm x 52 mm x 22 mm |
|  | Artikel-Nr.: 17683020 Kurzbeschreibung: LED converter 350 mA, DALI dimmable (digital) Leistung: 3,5 - 17 W Abmessung: 110.5 mm x 52 mm x 22 mm |
|  | Artikel-Nr.: 17648020 Kurzbeschreibung: LED converter 350 mA, trailing-edge phase dimmable Leistung: 0,7 - 17 W Abmessung: 166 mm x 46 mm x 34 mm |
|  | Artikel-Nr.: 17671020 Kurzbeschreibung: LED converter 350mA, ZigBee dimmable Leistung: 3,5 - 18,5 W Abmessung: 146.5 mm x 44 mm x 30 mm |
|  | Artikel-Nr.: 17672020 Kurzbeschreibung: LED converter 350mA, Casambi dimmable Leistung: 3,5 - 18 W Abmessung: 146.5 mm x 44 mm x 30 mm |