

XZ-QR30B SERIES

Fixed Output independent LED driver
Flicker free LED driver
Output current 750mA;700mA;650mA;600mA; 550mA;500mA;450mA;400mA
Max. output power 30W
For luminaires of protection class II
5-year warranty



ELECTRICAL SPECIFICATIONS					
Rated input voltage range:	220 ... 240 Vac				
Max. input voltage range:	198 ... 264 Vac				
Rated frequency range:	50 / 60 Hz				
Max. input current:	0.21 A @ 230 Vac				
Total harmonic distortion (max.):	≤ 15 % at rated input voltage range @ full load				
MCB Loading Quantity:	Inrush current Ipeak:	19.0A	Inrush current Twidth:	166.0us	
	MCB Type:	B10	C10	B16	C16
	Qty (PCS):	20	34	33	55
Output current tolerance:	± 5 % at rated input voltage range @ rated load				
Turn on delay time:	≤ 0.5 s at full load @ rated input voltage				
No load output voltage:	≤ 55 Vdc				
Stroboscopic coefficient:	≤ 5%				
PSTLM:	≤ 1 at full load @ rated input voltage				
SVM:	≤ 0.4 at full load @ rated input voltage				
Withstand voltage:	I/P-O/P: 3.75 KVac, < 5 mA 60 sec				
Mains surge immunity:	L-N 1 KV				
Noise level:	< 24dB, at full load @ 100cm distance				
Connection terminal type:	90° push in terminal				
Wire cross section:	Independent 0.75 - 1.5 mm ² Secondary side: 0.5 - 1.5 mm ²				
Wire stripping length:	7-8mm				
Protection rating:	IP 20				
Protection:	Over voltage protection: Hiccup mode. Protection device will trigger when load voltage exceeds specified output voltage and will auto recover after the fault mode is removed.				
	Short circuit protection: Hiccup mode. Protection device will trigger when short circuit and will auto recover after the fault mode is removed.				



ELECTRICAL SPECIFICATIONS

Supplementary instruction:	1. The power supply is used in combination with the terminal equipment as a part of the whole lamp. Because the EMC performance is affected by LED lamps and wiring, the terminal is set in case the manufacturer needs to reconfirm the EMC of the whole device.
----------------------------	---

ENVIRONMENTAL SPECIFICATIONS

Operating temperature:	-20 - 45°C
Storage temperature:	-40 to 80° C
Working humidity:	10 % to 90 %
Store humidity:	5 % to 90 %
Driver lifetime:	at Tc≤70° C: 50,000 hrs;
Maximum Tc temperature:	80° C

PRODUCT SPECIFICATIONS

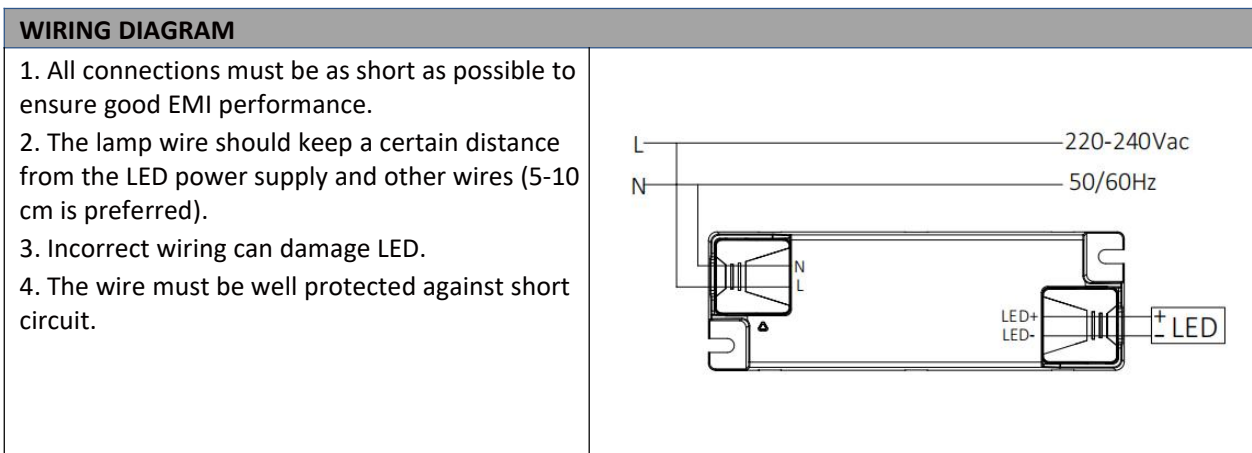
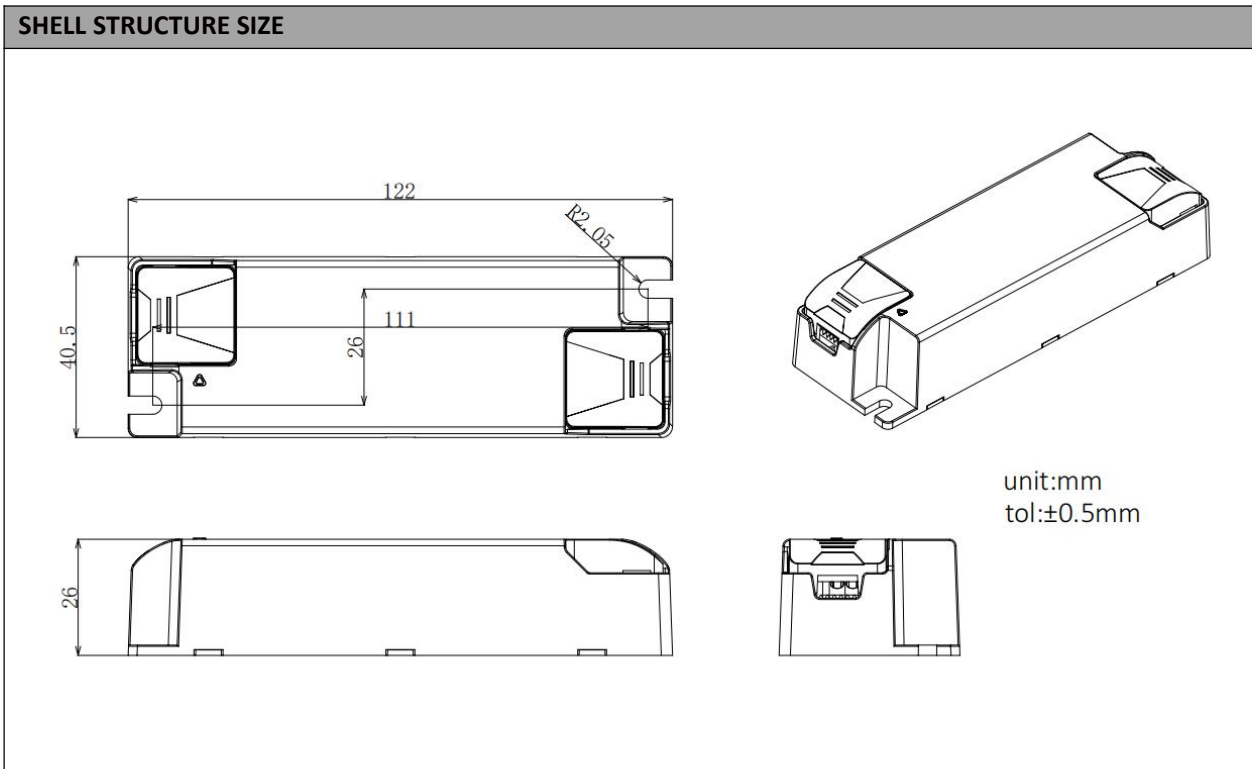
Model Number (Full Model)	Output Current	Input Voltage	Output Voltage	Efficiency @full load	Current Accuracy	PF@full load	Dimension L*W*H (mm)
XZ-QR30B-400075-A	750mA	220-240Vac	25-40Vdc	88.5%	±5%	≥0.97	L122*W40.5*H26mm
XZ-QR30B-400070-A	700mA			88%	±5%	≥0.97	
XZ-QR30B-400065-A	650mA			88%	±5%	≥0.96	
XZ-QR30B-400060-A	600mA			88%	±5%	≥0.96	
XZ-QR30B-400055-A	550mA			88%	±5%	≥0.96	
XZ-QR30B-400050-A	500mA			87%	±5%	≥0.95	
XZ-QR30B-400045-A	450mA			87%	±5%	≥0.95	
XZ-QR30B-400040-A	400mA			86%	±5%	≥0.94	

SAFETY AND EMC COMPLIANCE

ENEC+ CE	EN 61347-2-13:2014/A1:2017	CCC	GB 17625.1-2012	SAA	AS/NZS 61347.2.13.2018
	EN 61347-1:2015/A1:2021		GB/T 17743-2017		AS/NZS 61347.1:2016+A1:2018
	EN 62493:2015		GB 19510.1-2009		
	EN 55015:2019/A1:20020		GB 19510.14-2009		
	EN61000-3-2:2019				
	EN61000-3-3:2013/A1:2019				
	EN61547:2009				

PHYSICAL DIMENSIONS	
Length (L):	122 mm
Width (W):	40.5 mm
Height (H):	26 mm

PACKAGING	
0.09 kg / unit	70 pcs / carton
Carton size:	300 x 254 x 165 mm
Carton weight:	6.95 kg



TECHNICAL INFORMATION

