

Direct current dimmable electronic drivers with DIP-SWITCH  
Alimentatori elettronici regolabili in corrente continua con DIP-SWITCH

Made in Italy



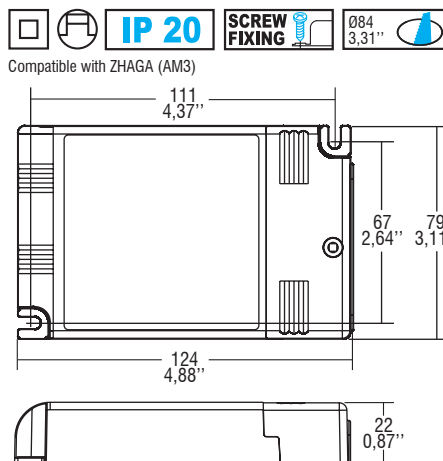
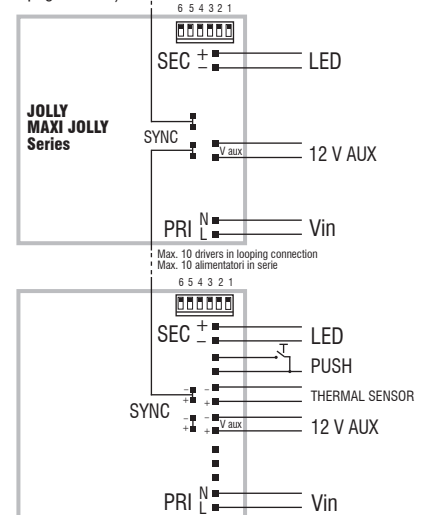
Accessories not supplied - Accessori non a corredo		
Article - Articolo	L (length)	Code - Codice
Synchronization cable Cavetto di sincronizzazione	1,5 m / 4 ft	485720512
	4 m / 13 ft	485720513
	50 cm / 19,68"	485720515
	20 cm / 7,87"	485720516



Article Articolo	Code Codice	P out W	V out DC <sup>(1)</sup>	I out DC	U out V	ta °C	tc °C	λ max. Power Factor	η max. Efficiency <sup>(1)</sup>
DC MAXI JOLLY US PLV	123419	25 (25 <sup>(2)</sup> )	2...74	350 mA cost.	90	-25...+50	90	0,95	> 92
		35 (35 <sup>(2)</sup> )	2...72	500 mA cost.					
		39 (39 <sup>(2)</sup> )	2...72	550 mA cost.					
		46 (40 <sup>(2)</sup> )	2...72	650 mA cost.					
		50 (40 <sup>(2)</sup> )	2...72	700 mA cost.					
		54 (40 <sup>(2)</sup> )	2...72	750 mA cost.					
		60 (40 <sup>(2)</sup> )	2...70	850 mA cost.					
		60 (40 <sup>(2)</sup> )	2...66	900 mA cost.					
		60 (40 <sup>(2)</sup> )	2...60	1,00 A cost.					
		60 (40 <sup>(2)</sup> )	2...57	1,05 A cost.					
48Vout voltage limit settable with Dip-Switch - Poutmax=50W									

<sup>(1)</sup> Referred to V<sub>m</sub> = 230 V, 100% load - Riferito a V<sub>m</sub> = 230 V, carico 100%

**Wiring diagram - Schema di collegamento**  
(Max. LED distance at page info8 - Massima distanza LED a pagina info8)



Weight - Peso:  
gr. 204 / 7,2 oz.  
Pcs - Pezzi 50

Compatible with ZHAGA (AM3)

### Standards compliance

- CSA-C22.2 n° 107.1 <sup>(2)</sup>
- CSA-C22.2 n° 250.13 <sup>(2)</sup>
- EN 50172 (VDE 0108)
- EN 55015
- EN 61000-3-2
- EN 61000-3-3
- EN 61347-1
- EN 61347-2-13
- EN 61547
- EN 62384
- UL 1012 <sup>(2)</sup>
- UL 8750 <sup>(2)</sup>

**Max. pcs for CB B16A**  
(see page info17)  
30 pcs

**In rush current**  
10A 200μsec

### Features

- IP20 independent driver, for indoor use.
- Class II protection against electric shock for direct or indirect contact.
- Active Power Factor Corrector.
- Analogical input for thermal sensor connection.
- Auxiliary output 12 V max. 100 mA.
- Current regulation ± 5 % including temperature variations.
- Input and output terminal blocks on the same side (wire cross-section up to 2,5 mm<sup>2</sup> / AWG13).
- Clamping screws on primary and secondary circuits for cables with diameter: min. 3 mm - max. 8 mm.
- Protections:
  - against overheating and short circuits;
  - against mains voltage spikes;
  - against overloads.

### Caratteristiche

- Alimentatore indipendente IP20, per uso interno.
- Protetto in classe II contro le scosse elettriche per contatti diretti e indiretti.
- PFC attivo.
- Entrata analogica per connessione sensore termico.
- Uscita ausiliare 12 V max. 100 mA.
- Corrente regolata ± 5 % incluse variazioni di temperatura.
- Morsetti di entrata e uscita sullo stesso lato (sezione cavo fino a 2,5 mm<sup>2</sup> / AWG13).
- Serracavo su primario e secondario per cavi di diametro: min. 3 mm - max. 8 mm.
- Protezioni:
  - termica e cortocircuito;
  - contro le extra-tensioni di rete;
  - contro i sovraccarichi.



3.1.8

Dimmable multipower DIP-SWITCH drivers - Compact case - PLV  
Alimentatori multipotenza regolabili con DIP-SWITCH - Formato compatto - PLV