

Motion detector - Professional Line

# IS 345

PF - concealed, sq.

EAN 4007841 033835

Article number 033835



infrared sensor  
360°



max. 20 x 4 m

2000 W

2000 W max.  
(LED-ready)



IP20



2 - 1000 lux



5 sec - 15 min



manual override  
4h



ideal 2,5 - 5 m

Teach

Teach mode



energy saving

## Function description

Huge reach. Infrared motion detector IS 345 for indoors and out, ideal for passageways, corridors and commonly used spaces, installation height 5 m, detection zone 12 x 6 m (radial) and 23 x 6 m (tangential), heavy-duty relay for high switching capacity. Available either in round or square surface-mounted and concealed version.

# IS 345

PF - concealed, sq.  
 EAN 4007841 033835  
 Article number 033835



## Technical specifications

Type	Motion detectors
Dimensions (L x W x H)	78 x 94 x 94 mm
Mains power supply	220 – 240 V / 50 – 60 Hz
Sensor Technology	passive infrared
Application, place	Indoors
Installation site	ceiling
Installation	Concealed wiring
Mounting height	2,50 – 5,00 m
Reach, radial	12 x 6 m (72 m <sup>2</sup> )
Reach, tangential	23 x 6 m (138 m <sup>2</sup> )
Detection angle	360 °
Angle of aperture	45 °
Switching zones	280 switching zones
Optimum mounting height	2,8 m
Mechanical scalability	No
Sneak-by guard	Yes
Capability of masking out individual segments	Yes
Electronic scalability	No
Twilight setting TEACH	Yes
Twilight setting	2 – 1000 lx
Time setting	5 s – 15 Min.
Output	2000 W
Fluorescent lamps, electronic ballast	1500 W
Fluorescent lamps, uncorrected	1000 VA

Fluorescent lamps, series-corrected	400 VA
Fluorescent lamps, parallel-corrected	400 VA
Switching output 1, low-voltage halogen lamps	2000 VA
LED lamps	100 W
LED lamps > 2 W	300 W
LED lamps > 8 W	600 W
Capacitive load in µF	176 µF
Constant-lighting control	No
Basic light level function	No
Functions	Normal / test mode, Manual ON / ON-OFF
Settings via	Remote control, Potentiometers, Smart Remote
With remote control	No
Interconnection	Yes
Type of interconnection	Master/master
IP-rating	IP20
Material	Plastic
Ambient temperature	-20 – 50 °C
Application, room	corridor / aisle, multi-storey / underground car park, Indoors
Colour	white
Colour, RAL	9003
Manufacturer's Warranty	5 years
Version	PF - concealed, sq.
PU1, EAN	4007841033835

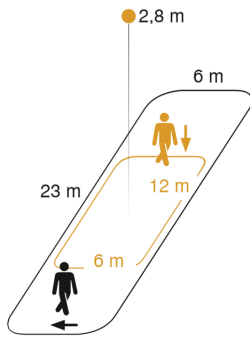
## Accessories

EAN 4007841 009151	Remote control Smart Remote
EAN 4007841 559410	Service remote control RC8
EAN 4007841 056728	Black cover for IR-sensors

# IS 345

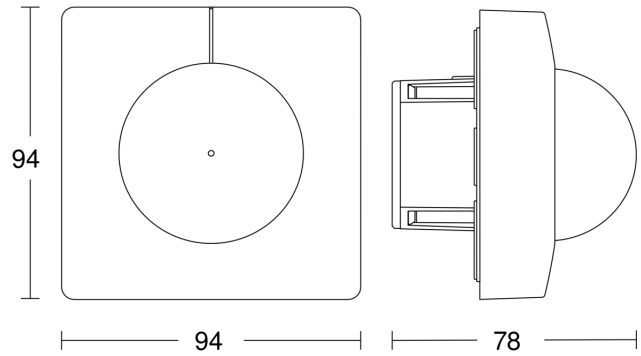
PF - concealed, sq.  
EAN 4007841 033835  
Article number 033835

## Detection Zone



Mögliche Montagehöhe: 2,50 m – 5,00 m  
Orange: radial  
Schwarz: tangential

## Dimension Drawing



## Master circuit diagram

