

**ADV Plug for output current select**

General

**Product description**

- \_ Ready-for-use resistor to set output current value
- \_ Compatible with LED Driver serie LC flexC ADV; not compatible with I-select (generation 1) and I-select 2 (generation 2)
- \_ Resistor is base isolated
- \_ Resistor power 0.25 W
- \_ Current tolerance  $\pm 2\%$  additional to output current tolerance
- \_ Hot plug of the resistor is not permitted
- \_ For detailed current setting see table "Specific technical data" of the respective LED Driver and chapter 3.7 or 3.8 Current setting in data sheet

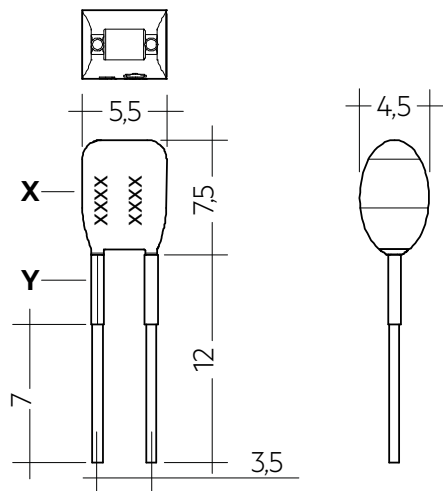
**Website**

<http://www.tridonic.com/28002097>



## ADV Plug for output current select

General



## Ordering data

| Type               | Article number | Colour of X area | Colour of Y area | Marking | Resistor value | Packaging, bag | Weight per pc. |
|--------------------|----------------|------------------|------------------|---------|----------------|----------------|----------------|
| ADV Plug Type F YL | 28002097       | Yellow           | Grey             | F       | 30.00 $\Omega$ | 10 pc(s).      | 0.001 kg       |