

Direct current electronic drivers
Alimentatori elettronici in corrente continua

Made in Italy 

constant CURRENT constant VOLTAGE



RIPPLE FREE



1-2KV DIFF. 2KV COMM. SAFETY PROTECTIONS

Rated Voltage
Tensione Nominale
100 ÷ 127 V⁽³⁾
100 ÷ 240 V

Frequency
Frequenza
50/60 Hz

AC Operation range
Tensione di utilizzo AC
90 ÷ 264 V

DC Operation range
Tensione di utilizzo DC
(see page info15)
176 ÷ 264 V

Power
Potenza
0 ÷ 8 W

Output current ripple
≤ 3%⁽¹⁾

Standards compliance
CSA C22.2 no. 223⁽³⁾
EN 50172 (VDE 0108)
EN 55015
EN 61000-3-2
EN 61000-3-3
EN 61347-1
EN 61347-2-13
EN 61547
UL 1310⁽³⁾
UL 8750⁽³⁾
VDE 0710-T14

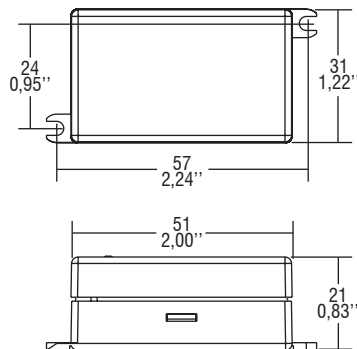
Max. pcs for CB B16A
(see page info17)
50 pcs

In rush current
20A 170µsec

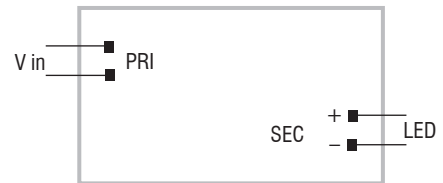
Article Articolo	Code Codice	P out W	V out DC	I out DC	U out V	ta °C	tc °C	λ max. Power Factor	η max. Efficiency ⁽¹⁾
DC 8W 350mA STC/U ⁽³⁾⁽⁴⁾	122633	6/8 ⁽²⁾	2...23	350 mA cost.	25	-25...+50 ⁽²⁾ /55	75	0,6 C	77
DC 9W 350mA STC/U ⁽⁴⁾⁽⁵⁾	122632	6/9 ⁽²⁾	2...25,7	350 mA cost.	30	-40...+45 ⁽²⁾ /55	75	0,6 C	77
DC 6W 500mA STC/U ⁽³⁾	122635	6	2...11,5	500 mA cost.	13	-25...+45	70	0,6 C	73

⁽¹⁾ Referred to V_{in} = 230 V, 100% load - Riferito a V_{in} = 230 V, carico 100%
⁽⁵⁾ UL Pending

BUILT-IN SCREW FIXING Weight - Peso: gr. 35 / 1,23 oz.
Pcs - Pezzi 50



Wiring diagram - Schema di collegamento
(Max. LED distance on page info8 - Massima distanza LED a pagina info8)



Features

- Driver for built-in use.
- Input and output terminal blocks on opposite sides.
- Single terminal at the primary and secondary circuit (wire cross-section up to 2,5 mm² / AWG13).
- It can be used for lighting equipment in protection class I and II.
- Current regulation -8 % +5 % including temperature variations.
- Protections:
 - against overheating and short circuits;
 - against mains voltage spikes;
 - against overloads.

Caratteristiche

- Alimentatore da incorporare.
- Morsetti di entrata e uscita contrapposti.
- Singolo morsetto su primario e secondario (sezione cavo fino a 2,5 mm² / AWG13).
- Utilizzabile per apparecchi di illuminazione in classe di protezione I e II.
- Corrente regolata -8 % +5 % incluse variazioni di temperatura.
- Protezioni:
 - termica e cortocircuito;
 - contro le extra-tensioni di rete;
 - contro i sovraccarichi.

7 YEARS WARRANTY 3% FAILURE RATE
10 YEARS WARRANTY 5% FAILURE RATE

PRODUCER'S LIABILITY TCI
POWERED WITH FLEETING RESPONSIBILITY TO FUTURE ACCORDING TO THE GREEN COMPACT 2014

1.1
Single current drivers - Without PFC
Alimentatori corrente singola - Senza PFC