



# HF-Essential II for TL5/TL-D

## HF-E 1/2 49 TL5 II 220-240V 50/60Hz

Essentially smart and reliable. HF-Essential II is the most cost-effective solution for reliably operation of a fluorescent lamp. It is also the ideal entry-level product for electromagnetic system users who want to take advantage of the benefits provided by electronic ballasts. The cost-saving and reliable HF-Essential II is energy efficiency class A2, and its robust design meets all relevant international safety and performance standards. HF-Essential II is the ideal choice for a broad range of new construction and retrofit applications within the commercial sector, including general surface mounting and office lighting, parking garages, warehouses and other applications. The ballast is primarily designed for Indoor application. For outdoor application, the luminaire should be minimum Classland need to be sufficiently protected against water & dust. The installation should also be guard against any lightening surge or any other necessary electrical protection as deemed in such typical installation & application.

### Product data

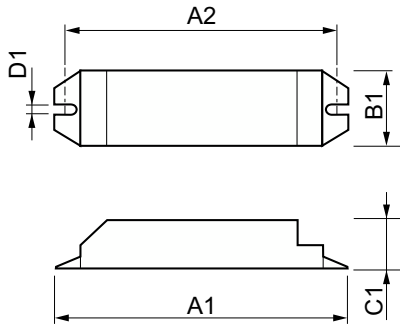
Operating and Electrical		Connector Type Output Terminals	Insert
Input Voltage	220 to 240 V		
Line Frequency	50 to 60 Hz		
Input Frequency	50 to 60 Hz		
Earth Leakage Current (Max)	0.5 mA		
Inrush Current Width	0.3 ms		
Inrush Current Peak (Max)	24 A		
Number of Products on MCB (16A Type B) (Nom)	20		
Wiring		Temperature	
Connector Type Input Terminals	Insert	Ambient temperature range	0 °C to 50 °C
		T-Case Lifetime (Nom)	75 °C
		T-Case Maximum (Max)	75 °C
		Mechanical and Housing	
		Housing	L280x30x22,7
		Approval and Application	
		Ingress protection code	IP20 [Finger-protected]

## HF-Essential II for TL5/TL-D

Energy Efficiency Index	A2
Approval Marks	CE marking KEMA Keur certificate CB Certificate RoHS Compliant
<b>Product Data</b>	
Order product name	HF-E 1/2 49 TL5 II 220-240V 50/60Hz
Full product name	HF-E 1/2 49 TL5 II 220-240V 50/60Hz
Full product code	871829177068800
Order code	913713040766

Material Nr. (12NC)	913713040766
Numerator - Quantity Per Pack	1
Net Weight (Piece)	0.125 kg
EAN/UPC - Product/Case	8718291770688
Numerator - Packs per outer box	50
EAN/UPC - Case	8718291770695

### Dimensional drawing



Product	D1	C1	A1	A2	B1
HF-E 1/2 49 TL5 II 220-240V 50/60Hz	4.2 mm	22.7 mm	280.0 mm	270.0 mm	30.0 mm

