

Motion detector

IR 180 AP easy

Surface wiring

EAN 4007841 066048

Article number 066048



infrared sensor
180°



max. 8 m



2- or 3-wire

200 W

200 W max.
(LED-ready)



manual switch
ON/OFF

Teach

Teach mode



IP54



2 - 1000 lux



5 sec - 30 min



plastic free
packaging

Function description

Everything but afraid of water. Infrared sensor switch IR 180 AP easy for indoors and out, ideal for basements, garages, carports and outdoor areas, switches light 'ON' and 'OFF' automatically, reach up to 8 m, adjustable time and twilight threshold, splashproof, can also be used in damp rooms or in the open. It works in both as 2 and 3-wire installations and can switch all type of lamps ON and OFF.

Motion detector

IR 180 AP easy

Surface wiring

EAN 4007841 066048

Article number 066048



Technical specifications

Type	Motion detectors
Dimensions (L x W x H)	82 x 72 x 67 mm
Mains power supply	220 – 240 V / 50 – 60 Hz
Sensor Technology	passive infrared
Application, place	Indoors, Outdoors
Installation site	wall
Installation	Surface wiring
Mounting height	0,90 – 2,20 m
Reach, radial	r = 3 m (14 m ²)
Reach, tangential	r = 8 m (101 m ²)
Detection angle	180 °
Angle of aperture	90 °
Switching zones	96 switching zones
Optimum mounting height	1,1 m
Mechanical scalability	No
Sneak-by guard	Yes
Electronic scalability	No
Twilight setting TEACH	Yes
Twilight setting	2 – 1000 lx
Time setting	5 s – 30 Min.
Output	200 W
Switching output 1, resistive	200 W
Switching output 1, number of LEDs / fluorescent lamps	4 pcs.

Fluorescent lamps, electronic ballast	150 W
Fluorescent lamps, uncorrected	150 VA
Fluorescent lamps, series-corrected	150 VA
Fluorescent lamps, parallel-corrected	150 VA
Switching output 1, low-voltage halogen lamps	200 VA
LED lamps	40 W
LED lamps > 2 W	100 W
LED lamps > 8 W	160 W
Capacitive load in µF	132 µF
Constant-lighting control	No
Basic light level function	No
Settings via	Potentiometers
With remote control	No
Interconnection	Yes
IP-rating	IP54
Material	Plastic
Ambient temperature	0 – 40 °C
Application, room	corridor / aisle, function room / ancillary room, WC / washroom, outdoors, Indoors
Colour	grey
Manufacturer's Warranty	3 years
Version	Surface wiring
PU1, EAN	4007841066048
Technology, sensors	passive infrared, Light sensor

Motion detector

IR 180 AP easy

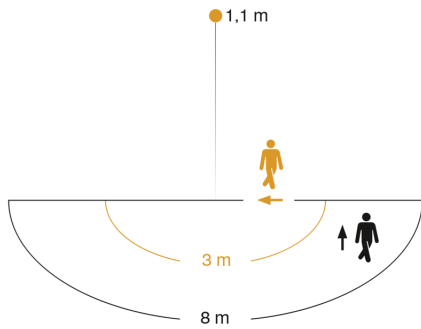
Surface wiring

EAN 4007841 066048

Article number 066048



Detection Zone

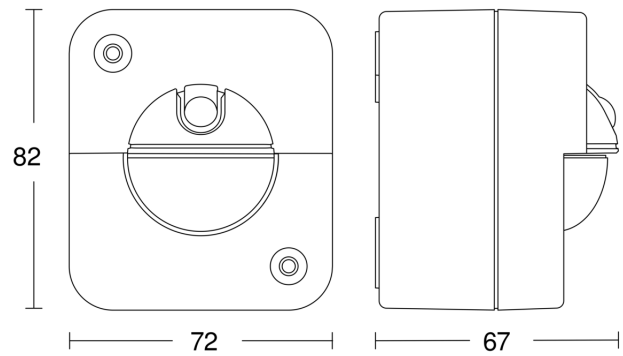


Mögliche Montagehöhe: 0,90 m – 2,20 m

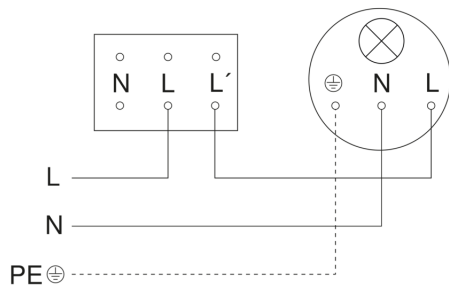
Orange: radial

Schwarz: tangential

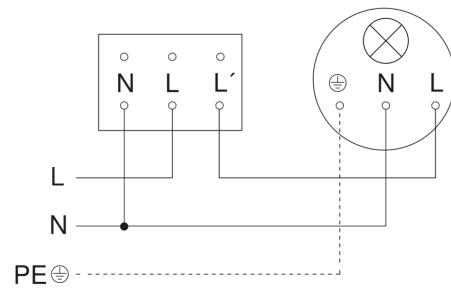
Dimension Drawing



2-wire circuit diagram



3-wire circuit diagram



Motion detector

IR 180 AP easy

Surface wiring

EAN 4007841 066048

Article number 066048



Circuit diagram for interconnecting several sensors

