

PRODUCT DATASHEET

1906 CARVED PINEAPPLE Glass Smoke

Vintage 1906® Carved | Indoor glass luminaires, vintage style, E27 socket, special shaped lamp shades



Areas of application

- Living areas (living rooms, dining rooms, bedrooms etc.)
- Bars, restaurants

Product benefits

- Adjustable appearance thanks to use of separate available E27 lamp shapes
- Easy and quick installation

Product features

- Luminaires with special shaped glass lamp shades
- Special vintage appearance when combined with 1906 LED or halogen lamps
- Luminaire family for various application areas



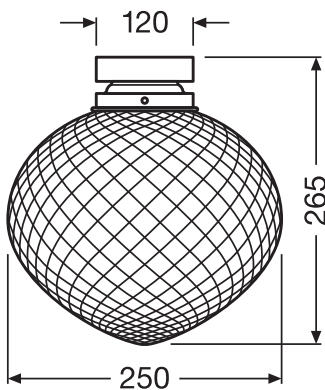
TECHNICAL DATA

Electrical data

Nominal voltage	220...240 V
Mains frequency	50...60 Hz
Protection class	I
Operating mode	Mains voltage

Dimensions & Weight

Diameter	250,0 mm
Length	250.00 mm
Width	120.00 mm
Height	265.00 mm
Product weight	1650.00 g



Materials & Colors

Product color	Black/Gray
Housing color	Black/Gray
Body material	Plastic METAL
Cover material	Glass
Mercury content	0.0 mg

Application & Mounting

Ambient temperature range	-20...+40 °C
Temperature range at storage	-25...+70 °C

Type of connection	Screw terminal
Type of protection	IP20
Dimmable	No
Mounting type	Surface
Mounting location	Ceiling
Application environment	Indoor
With light source	No
Holder designation	E27




Certificates & Standards

Standards	CE / EAC / REACH
-----------	------------------

EQUIPMENT / ACCESSORIES

- No light sources included
- Complete mounting and connecting accessories included

DOWNLOAD DATA

DOWNLOAD DATA	
	User instruction
	Tender documents
	Declarations of conformity

LOGISTICAL DATA

Product code	Packaging unit (Pieces/Unit)	Dimensions (length x width x height)	Gross weight	Volume
4058075217133	Shipping box 2	730 mm x 370 mm x 370 mm	5068.00 g	99.94 dm ³

The mentioned product code describes the smallest quantity unit which can be ordered. One shipping unit can contain one or more single products. When placing an order, for the quantity please enter single or multiples of a shipping unit.

DISCLAIMER

Subject to change without notice. Errors and omission excepted. Always make sure to use the most recent release.